

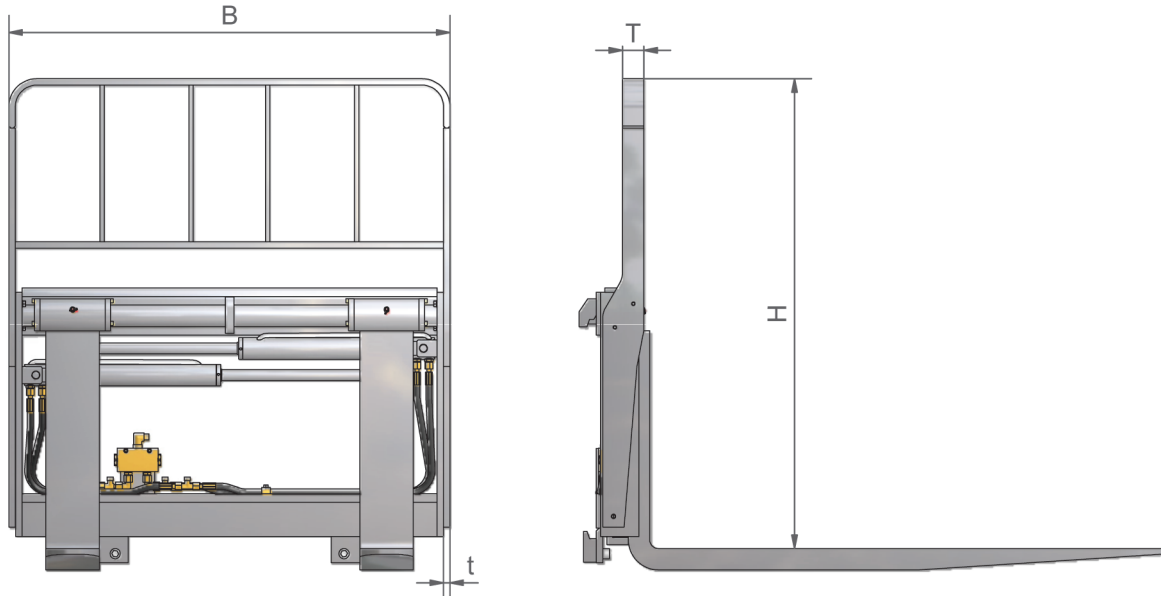


Load backrest for LF and LC

Advantages

- Constructed to sustain and protect the load during the transport
- New design giving a low weight and a good view





	B [mm]	H [mm]	T [mm]	t [mm]
LF & LC 1810	1030	1000		
LF & LC 2511	1130		50	15
LF & LC 3512	1230	1200		
LF & LC 4514	1430	1100		

