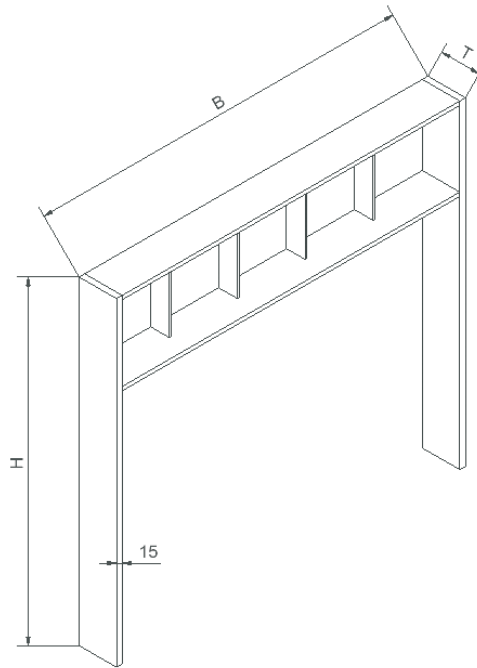


Load backrest for IGGS, OGGS and LSS

Advantages

- Constructed to sustain and protect the load during the transport





	B [mm]	H [mm]	T [mm]
LSS2	930	1000	80
LSS3	1030	1000	100
IGGS/OGGS 60/70	1130	1100	120
LSS4	1130	1100	120
IGHS 60	1130	1300	155

