

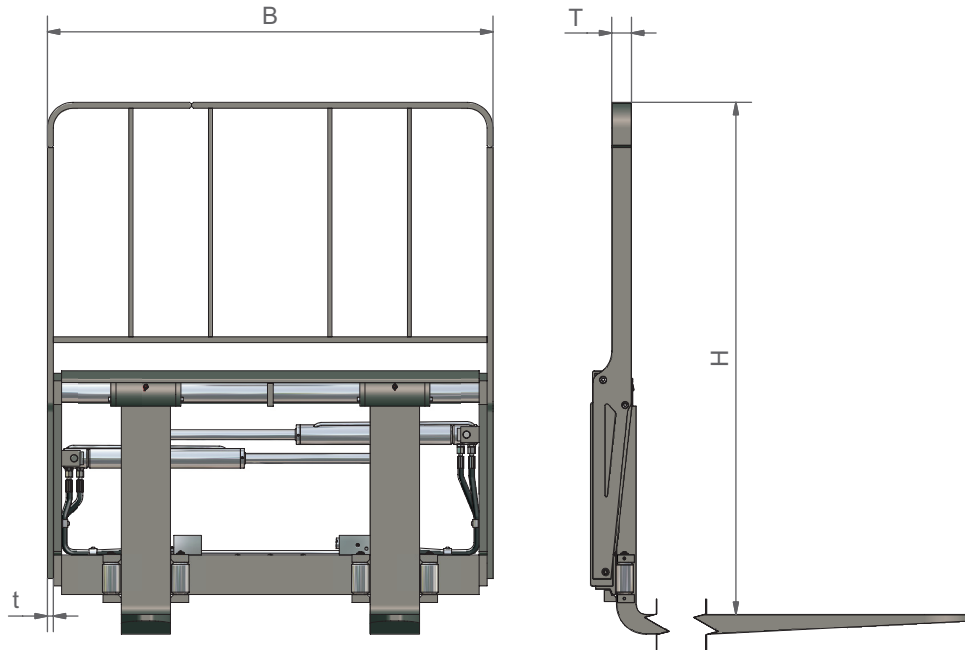


### **Load backrest for IFPF, HFPP and IFPC**

#### **Advantages**

- Constructed to sustain and protect the load during the transport
- New design giving a low weight and a good view





	B [mm]	H [mm]	T [mm]	t [mm]
IFPF & HFPF 18	1030	1000	50	15
IFPF & HFPF 25		1100		
IFPF & HFPF 35				
IFPF & HFPF 45				
IFPF 50				
IFPC 25	1030	1000	50	15
IFPC 35		1100		
IFPC 45				

