

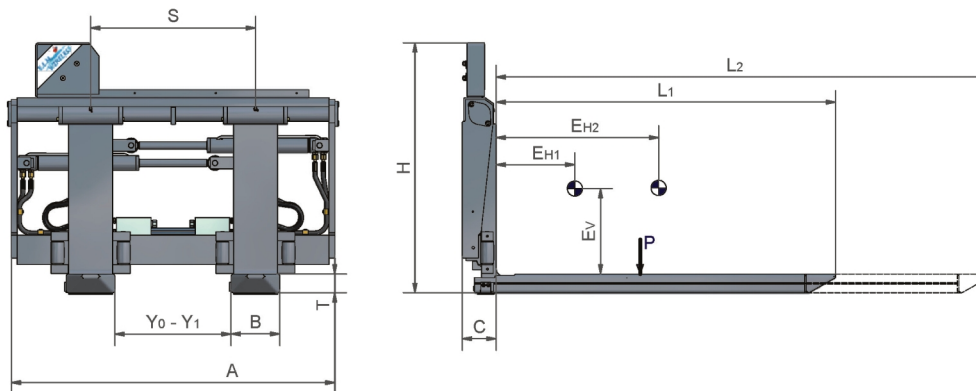


Integrated fork positioner with telescopic forks, type IFPF

Advantages

- Combined attachment that makes the truck multi-flexible
- High lift capacity due to the integration between forkpositioner and telescopic forks
- One attachment combines side shifting, fork positioning and hydraulic telescoping of the forks
- Designed for pallet handling on double shelves
- Loading and unloading from lorries, trains... on 1 side only
- The pintype gives a precise control of the forks
- Great total view
- Choose a Wireless solution and save the need for extra hose connections





	P [kg]	a [mm]	L ₁ -L ₂ [mm]	E _{H1} -E _{H2} [mm]	E _V [mm]	B x T [mm]	A [mm]	H [mm]	C [mm]	Y ₀ -Y ₁ [mm]	S [mm]	Q [kg]
3IFPF 2511 + 2TFP 25-1150/1900	2500	500	1150-1900	298/401	236	139x64	1100	833	114	152-672	260	302
3IFPF 2511 + 2TFS 25-1150/1900				275/366	246	137x52			104	154-674	264	
3IFPF 3512 + 2TFP 35-1150/1900	3500	500	1150-1900	306/403	230	166x64	1200	855	110	154-734	290	360
3IFPF 3512 + 2TFS 35-1150/1900				276/363	239	166x52			101		315	
4IFPF 4513 + 3TFP 45-1150/1850	4500	600	1150-1850	270/340	305	166x69	1300	984	125	140-800	330	479
5IFPF 5014 + 3TFP 50-1150/1800	5000	600	1150-1800	281/352	300	168x76	1400	984	130	138-898	380	519

Min. working pressure 110 [bar].

Max. working pressure 175 [bar].

The table values E_H, E_V and Q are calculated.

Excl. solenoid valve for 3rd hydraulic function.

