

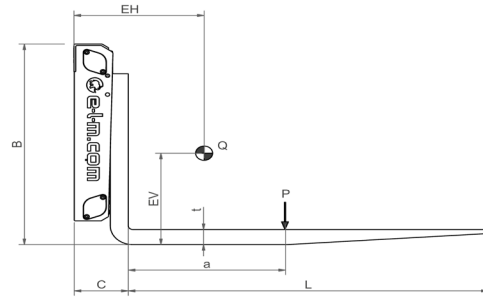
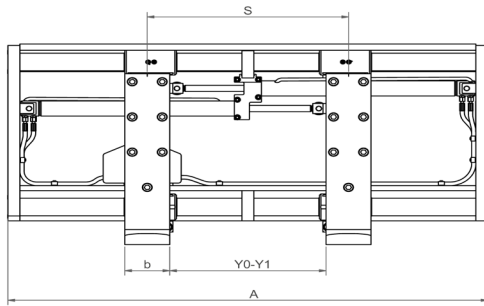


## Integrated fork positioner with extra stability, type IFEXS

### Benefits

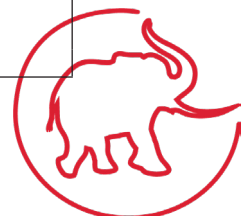
- Extra stability because of double pins
- Light clamping operations
- Excellent visibility
- Silent operation
- Integration on all truck types

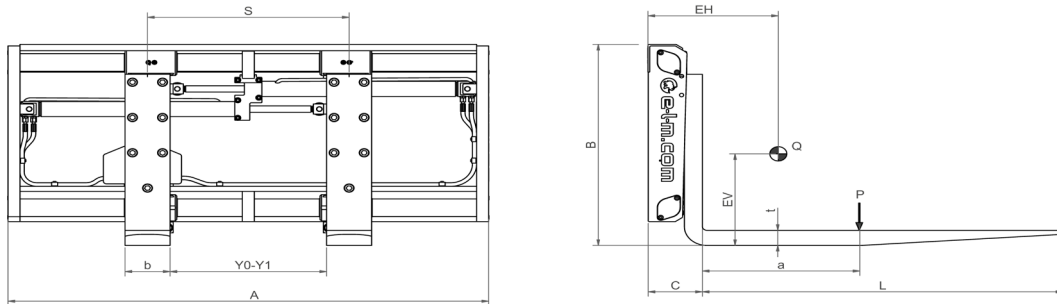




	Capacity	Capacity as clamp	Load center	Width	Height	Load center	Center of gravity, horizontal	Center of gravity, vertical	Weight	Opening range	Sides lift +/-	Fork size/length
	P (kg)	P <sub>2</sub> (kg)	a (mm)	A (mm)	B (mm)	C (mm)	E <sub>H</sub> (mm)	E <sub>V</sub> (mm)	Q (kg)	Y <sub>0</sub> - Y <sub>1</sub> (mm)	S (mm)	b x t x L (mm)
IFEXS 2009	2000	400	500	900	642	136	240	253	217	105 - 625	± 130	100x40x1200
IFEXS 2010				1000			234	257	224	105 - 725	± 155	
IFEXS 2011				1100			228	260	230	105 - 825	± 180	
IFEXS 2012				1200			223	263	236	105 - 925	± 205	
IFEXS 2013				1300			218	267	242	105 - 1025	± 230	
IFEXS 2014				1400			213	269	249	105 - 1125	± 255	
IFEXS 2510	2500	900	500	1000	652	142	241	259	262	105 - 665	± 140	120x40x1200
IFEXS 2511				1100			235	263	270	105 - 765	± 165	
IFEXS 2512				1200			230	267	277	105 - 865	± 190	
IFEXS 2513				1300			225	270	286	105 - 965	± 215	
IFEXS 2514				1400			219	273	293	105 - 1065	± 240	
IFEXS 2515				1500			215	276	300	105 - 1165	± 265	
IFEXS 2516	1600	211	279	308	105 - 1265	± 290						
IFEXS 3010	3000	900	500	1000	652	147	256	250	282	100 - 660	± 140	125x45x1200
IFEXS 3011				1100			250	254	290	100 - 760	± 165	
IFEXS 3012				1200			245	258	297	100 - 860	± 190	
IFEXS 3013				1300			240	261	306	100 - 960	± 215	
IFEXS 3014				1400			234	264	313	100 - 1060	± 240	
IFEXS 3015				1500			230	267	320	100 - 1160	± 265	
IFEXS 3016	1600	225	270	328	100 - 1260	± 290						
IFEXS 3511	3500	1250	500	1100	684	172	242	286	357	113 - 763	± 163	125x50x1200
IFEXS 3512				1200			237	290	367	113 - 863	± 188	
IFEXS 3513				1300			231	239	378	113 - 963	± 213	
IFEXS 3514				1400			227	297	383	113 - 1063	± 238	
IFEXS 3515				1500			222	300	399	113 - 1163	± 263	
IFEXS 3516				1600			218	303	409	113 - 1263	± 288	
IFEXS 3517	1700	213	306	420	113 - 1363	± 313						
IFEXS 3518	1800	209	309	425	113 - 1463	± 338						
IFEXS 4011	4000	1250	500	1100	684	172	257	275	394	113 - 713	± 150	150x50x1200
IFEXS 4012				1200			252	279	404	113 - 813	± 175	
IFEXS 4013				1300			247	283	415	113 - 913	± 200	
IFEXS 4014				1400			242	286	425	113 - 1013	± 225	
IFEXS 4015				1500			237	290	436	113 - 1113	± 250	
IFEXS 4016				1600			233	293	446	113 - 1213	± 275	
IFEXS 4017	1700	229	296	457	113 - 1313	± 300						
IFEXS 4018	1800	225	298	468	113 - 1413	± 325						

Min. werkdruk 110 [bar].  
Max. werkdruk 250 [bar].

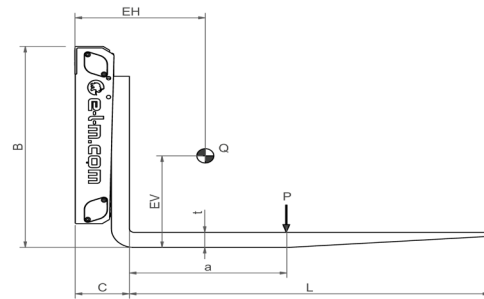
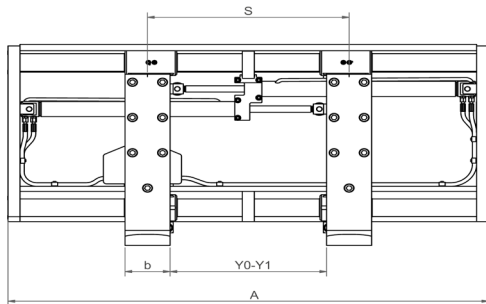




	Capacity	Capacity as clamp	Load center	Width	Height	Lost load center	Center of gravity, horizontal	Center of gravity, vertical	Weight	Opening range	Side shift +/-	Fork size/length
	P (kg)	P <sub>2</sub> (kg)	a (mm)	A (mm)	B (mm)	C (mm)	E <sub>H</sub> (mm)	E <sub>V</sub> (mm)	Q (kg)	Y <sub>0</sub> - Y <sub>1</sub> (mm)	S (mm)	b x t x L (mm)
IFEXS 4512	4500	1550	600	1200	798	179	233	337	469	100 - 800	± 175	150x50x1200
IFEXS 4513				1300			228	341	482	100 - 900	± 200	
IFEXS 4514				1400			224	345	495	100 - 1000	± 225	
IFEXS 4515				1500			220	348	508	100 - 1100	± 250	
IFEXS 4516				1600			215	351	521	100 - 1200	± 275	
IFEXS 4517				1700			212	354	534	100 - 1300	± 300	
IFEXS 4518				1800			208	357	547	100 - 1400	± 325	
IFEXS 4519				1900			204	360	560	100 - 1500	± 350	
IFEXS 4520				2000			201	363	573	100 - 1600	± 375	
IFEXS 5013				5000			1550	600	1300	798	189	
IFEXS 5014	1400	242	333		529	100 - 1000			± 225			
IFEXS 5015	1500	234	336		542	100 - 1100			± 250			
IFEXS 5016	1600	233	340		555	100 - 1200			± 275			
IFEXS 5017	1700	226	343		568	100 - 1300			± 300			
IFEXS 5018	1800	225	346		581	100 - 1400			± 325			
IFEXS 5019	1900	221	349		594	100 - 1500			± 350			
IFEXS 5020	2000	214	351		607	100 - 1600			± 375			
IFEXS 6014	6000	2000	600	1400	845	223	231	386	683	110 - 1000	± 223	150x65x1200
IFEXS 6015				1500			226	390	703	110 - 1100	± 248	
IFEXS 6016				1600			221	393	723	110 - 1200	± 273	
IFEXS 6017				1700			217	397	743	110 - 1300	± 298	
IFEXS 6018				1800			213	400	763	110 - 1400	± 323	
IFEXS 6019				1900			209	403	783	110 - 1500	± 348	
IFEXS 6020				2000			205	406	803	110 - 1600	± 373	
IFEXS 6021				2100			202	409	823	110 - 1700	± 398	
IFEXS 6022				2200			199	412	843	110 - 1800	± 423	
IFEXS 6023				2300			196	414	863	110 - 1900	± 448	
IFEXS 6024				2400			193	416	883	110 - 2000	± 473	
IFEXS 7014	7000	2000	600	1400	845	228	238	381	703	110 - 1000	± 223	150x70x1200
IFEXS 7015				1500			233	385	723	110 - 1100	± 248	
IFEXS 7016				1600			229	389	743	110 - 1200	± 273	
IFEXS 7017				1700			224	392	763	110 - 1300	± 298	
IFEXS 7018				1800			220	396	783	110 - 1400	± 323	
IFEXS 7019				1900			216	399	803	110 - 1500	± 348	
IFEXS 7020				2000			212	402	823	110 - 1600	± 373	
IFEXS 7021				2100			209	405	843	110 - 1700	± 398	
IFEXS 7022				2200			206	407	863	110 - 1800	± 423	
IFEXS 7023				2300			202	410	883	110 - 1900	± 448	
IFEXS 7024				2400			199	412	903	110 - 2000	± 473	

Min. werkdruk 110 [bar].  
Max. werkdruk 250 [bar].





	Capacity	Capacity as clamp	Load center	Width	Height	Load center	Center of gravity, horizontal	Center of gravity, vertical	Weight	Opening range	Side shift +/-	Fork size/length
	P (kg)	P <sub>z</sub> (kg)	a (mm)	A (mm)	B (mm)	C (mm)	E <sub>H</sub> (mm)	E <sub>V</sub> (mm)	Q (kg)	Y <sub>0</sub> - Y <sub>1</sub> (mm)	S (mm)	b x t x L (mm)
IFEXS 8015	8000	2500	600	1500	845	228	252	410	880	110 - 1000	± 223	200x70x1200
IFEXS 8016				1600			248	414	900	110 - 1100	± 248	
IFEXS 8017				1700			244	418	920	110 - 1200	± 273	
IFEXS 8018				1800			240	421	940	110 - 1300	± 298	
IFEXS 8019				1900			236	424	960	110 - 1400	± 323	
IFEXS 8020				2000			233	427	980	110 - 1500	± 348	
IFEXS 8021				2100			229	430	1000	110 - 1600	± 373	
IFEXS 8022				2200			226	433	1020	110 - 1700	± 398	
IFEXS 8023				2300			223	436	1040	110 - 1800	± 423	
IFEXS 8024				2400			220	438	1059	110 - 1900	± 448	
IFEXS 10020	10000	2500	600	2000	1190	241	214	547	1265	115-1475	± 340	200x70x1200
IFEXS 10021				2100			211	550	1290	115-1575	± 365	
IFEXS 10022				2200			208	553	1315	115-1675	± 390	
IFEXS 10023				2300			206	556	1340	115-1775	± 415	
IFEXS 10024				2400			203	558	1360	115-1875	± 440	
IFEXS 10025				2500			201	561	1395	115-1975	± 465	
IFEXS 10026				2600			198	563	1420	115-2075	± 490	
IFEXS 10027				2700			196	565	1442	115-2175	± 515	
IFEXS 10028				2800			194	567	1450	115-2275	± 540	
IFEXS 10029				2900			192	570	1495	115-2375	± 565	
IFEXS 10030	3000	190	572	1520	115-2475	± 590						
IFEXS 12020	12000	2500	600	2000	1200	251	222	547	1362	115-1475	± 340	200x80x1200
IFEXS 12021				2100			219	550	1390	115-1575	± 365	
IFEXS 12022				2200			216	553	1418	115-1675	± 390	
IFEXS 12023				2300			213	556	1445	115-1775	± 415	
IFEXS 12024				2400			210	559	1474	115-1875	± 440	
IFEXS 12025				2500			208	562	1502	115-1975	± 465	
IFEXS 12026				2600			205	564	1530	115-2075	± 490	
IFEXS 12027				2700			203	567	1558	115-2175	± 515	
IFEXS 12028				2800			201	569	1585	115-2275	± 540	
IFEXS 12029				2900			198	572	1612	115-2375	± 565	
IFEXS 12030	3000	196	574	1640	115-2475	± 590						

Min. werkdruk 110 [bar].  
Max. werkdruk 250 [bar].

