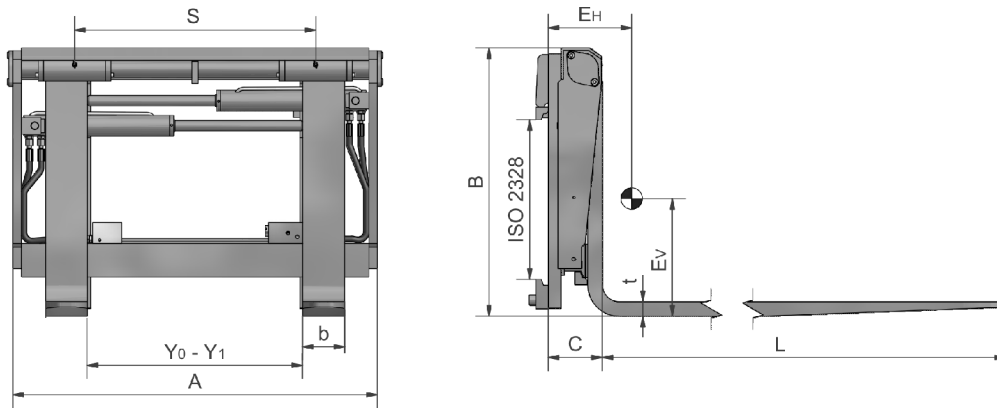




Integrated fork positioner with sideshift for Reach Truck

Advantages

- The pintype gives a precise control of the forks
- Constructed according to the baseline concept
- Quick and easy mounting
- Fork positioning and side shifting in one attachment



	P [kg]	a [mm]	A [mm]	B [mm]	C [mm]	EH [mm]	Ev [mm]	Q [kg]	Y ₀ - Y ₁ * [mm]	S* [mm]	b x t x L [mm]	ISO 2328
3IFPRT 180870 3HFPRT 180870	1800	500	870	642	98 128	240 226	251 185	166 200	154-574	210	100x35x1200	- 2
3IFPRT 250870 3HFPRT 250870	2500	500	870	652	104 134	262 219	247 179	204 241	154-574	210	120x40x1200	- 2

Min. working pressure 110 [bar].
Max. working pressure 250 [bar].
The table values E_H, E_v and Q are calculated.