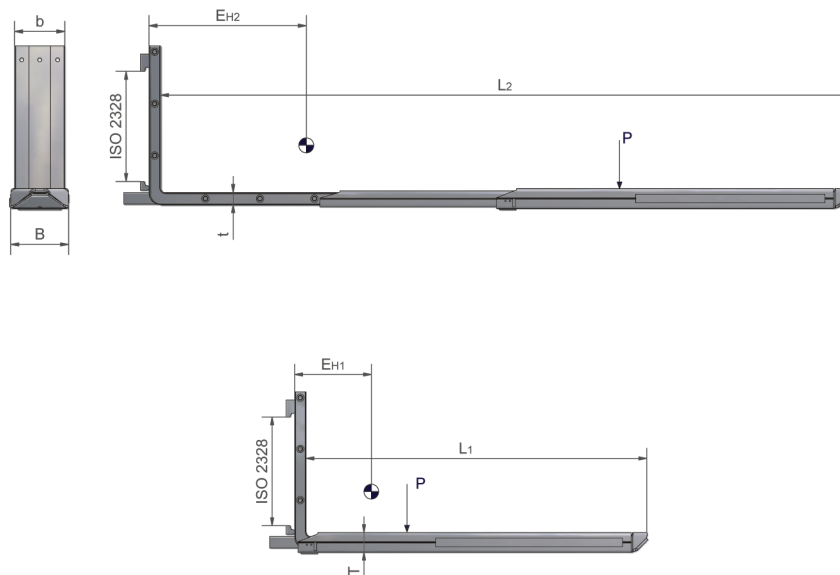


Triplex telescopic forks, type TFT

Benefits

- get maximum stroke and minimum build-in length
- optimized free view
- integrated synchronizing, *without external valve*
- easy mounting
- serviceminded construction





	P [kg]	a [mm]	L ₁ /L ₂ [mm]	E _{H1} /E _{H2} [mm]	E _V [mm]	B x T [mm]	b x t [mm]	Q [kg]	ISO 2328
2TFT-25-1200/2400	2500	600	1200/2400	460/792		202x69	175x42	270	2A

Min. working pressure 150 [bar].
Max. working pressure 175 [bar].

