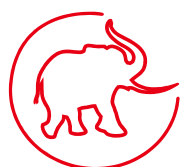
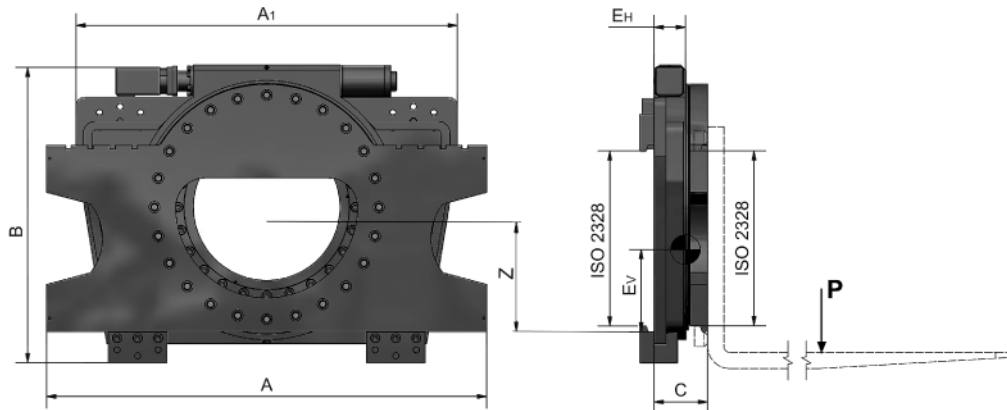


Rotator 360°, type RE-S

Advantages

- Shock absorber at the worm
- Reinforced fork carriage
- Mounting in cl. 3, 4 or 5, ISO 2328
- The special main bearing gives a stronger rotator and a long lifetime





	P [kg]	a [mm]	Z [mm]	A [mm]	A ₁ [mm]	A ₂ [mm]	B [mm]	C [mm]	E _H [mm]	Q [kg]	ISO 2328
RE 4536 S	4500	600	401	1500	1100	462	890	155	75	600	3
RE 5036 S	5000					375		152	79	645	
RE 6036 S	6300	426	448	1800	1300	487	1016	167	80	695	4
RE 8036 S	8000					765		82	962		
RE 10036 S	10000					645		84	983	5	

Max. working pressure 210 [bar].

	Max. torque [Nm]	Max. oil pressure [bar]	Max. Oil flow [l/min]	Rev./min. [ved max. oliestrøm]	Oil flow [l/omdr]
RE 4536 S	14120	210	75	6,6	11,4
RE 5036 S				5,2	14,3
RE 6036 S	16400			4,5	21,4
RE 8036 S	19490			3,5	
RE 10036 S	20700				

Max. torque, revolution and oil flow are calculated.

