

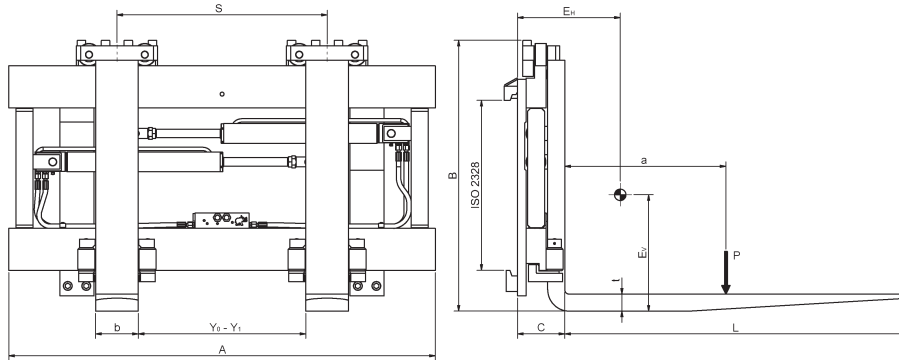


Hook-on fork positioner with side shift, type OGGs

Benefits

- Powerful hook-on fork positioner with high strength
- Fork positioner in many variants
- Flexible with good residual capacity
- Available as Heavy Duty version for extremely demanding tasks





| | Capacity | Load center | Width | Height | Load center | Center of gravity, horizontal | Center of gravity, vertical | Weight | Opening range | Side shift | Fork size/length | ISO 2328 |
|------------------|----------|-------------|--------|--------|-------------|-------------------------------|-----------------------------|--------|-------------------------------------|------------|------------------|----------|
| | P [kg] | a [mm] | A [mm] | B [mm] | C [mm] | E _H [mm] | E _V [mm] | Q [kg] | Y ₀ -Y ₁ [mm] | S [mm] | b x t x L [mm] | |
| 50GGs 60 1600 | 6300 | 600 | 1600 | 953 | 166 | 198 | 277 | 656 | 150-1150* | +/- 245 | 150x60x1200 | 4 |
| 50GGs 60 1800 | 6300 | 600 | 1800 | 953 | 166 | 192 | 282 | 687 | 150-1350* | +/- 295 | 150x60x1200 | 4 |
| 50GGs 60 1900 | 6300 | 600 | 1900 | 953 | 166 | 189 | 284 | 703 | 150-1450* | +/- 320 | 150x60x1200 | 4 |
| 50GGs 60 2000 | 6300 | 600 | 2000 | 953 | 166 | 187 | 286 | 719 | 150-1550* | +/- 345 | 150x60x1200 | 4 |
| 150x65**, L>1600 | | | | | | | | | | | | |
| 50GGs 70 1800 | 7000 | 600 | 1800 | 953 | 166 | 187 | 293 | 715 | 150-1350* | +/- 295 | 150x60**x1200 | 4 |
| 50GGs 70 2000 | 7000 | 600 | 2000 | 953 | 166 | 182 | 298 | 750 | 150-1550* | +/- 345 | 150x60**x1200 | 4 |
| 50GGs 70 2100 | 7000 | 600 | 2100 | 953 | 166 | 179 | 300 | 768 | 150-1650* | +/- 370 | 150x60**x1200 | 4 |
| 50GGs 70 2200 | 7000 | 600 | 2200 | 953 | 166 | 177 | 302 | 785 | 150-1750* | +/- 395 | 150x60**x1200 | 4 |
| 150x70**, L>1600 | | | | | | | | | | | | |
| 50GGs 80 2000 | 8000 | 600 | 2000 | 1053 | 191 | 203 | 342 | 836 | 150-1550* | +/- 352 | 150x65**x1200 | 4 |
| 50GGs 80 2100 | 8000 | 600 | 2100 | 1053 | 191 | 200 | 345 | 853 | 150-1650* | +/- 377 | 150x65**x1200 | 4 |
| 50GGs 80 2200 | 8000 | 600 | 2200 | 1053 | 191 | 198 | 347 | 870 | 150-1750* | +/- 402 | 150x65**x1200 | 4 |
| 50GGs 80 2300 | 8000 | 600 | 2300 | 1053 | 191 | 196 | 350 | 888 | 150-1850* | +/- 427 | 150x65**x1200 | 4 |

The attachment is supplied with a valve adapted to the actual capacity

Min. working pressure 150 [bar]. Max. working pressure 250 [bar]

*From 1601 [mm] of fork length, Y₀ is increased by 50 [mm], Y₁ and S are reduced by 50 [mm]

**From 1601 [mm] of fork length, section size is increased

The table values E_H, E_V and Q are calculated

