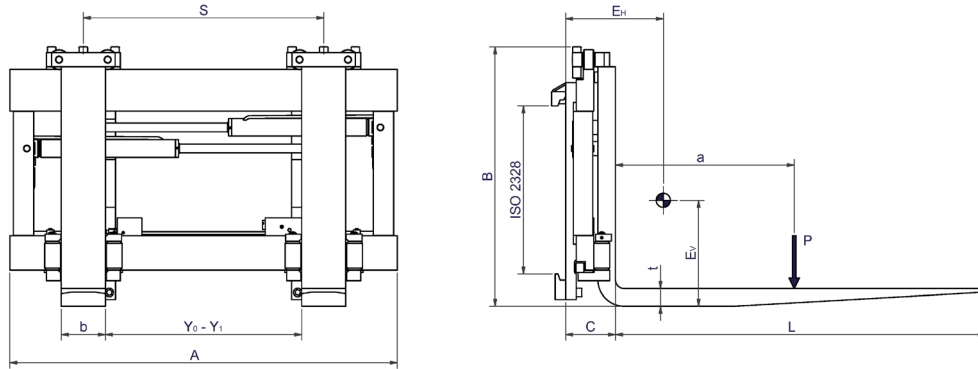


Hook-on fork positioner with side shift, type OGGS

Benefits

- Powerful hook-on fork positioner with high strength
- Fork positioner in many variants
- Flexible with good residual capacity
- Available as Heavy Duty version for extremely demanding tasks





	Capacity	Load center	Width	Height	Load center	Center of gravity, horizontal	Center of gravity, vertical	Weight	Opening range	Side shift	Fork size/length	ISO 2328
	P [kg]	a [mm]	A [mm]	B [mm]	C [mm]	E _h [mm]	E _v [mm]	Q [kg]	Y ₀ - Y ₁ [mm]	S [mm]	b x t x L [mm]	
50GGs 18 1000	1800	500	1000	598	117	225	158	194	130-650*	+/- 130	100x35x1200	2
50GGs 18 1100	1800	500	1100	598	117	218	162	201	130-750*	+/- 155	100x35x1200	2
50GGs 25 1000	2500	500	1000	598	122	255	143	225	120-640*	+/- 130	120x40x1200	2
50GGs 25 1100	2500	500	1100	598	122	248	147	232	120-740*	+/- 155	120x40x1200	2
50GGs 25 1200	2500	500	1200	598	122	242	151	239	120-840*	+/- 180	120x40x1200	2
50GGs 25 1300	2500	500	1300	598	122	237	155	246	120-940*	+/- 205	120x40x1200	2
50GGs 35 1200	3500	500	1200	735	142	235	208	336	107-827*	+/- 180	125x50x1200	3
50GGs 35 1300	3500	500	1300	735	142	231	211	345	107-927*	+/- 205	125x50x1200	3
50GGs 35 1400	3500	500	1400	735	142	227	214	353	107-1027*	+/- 230	125x50x1200	3
50GGs 35 1600	3500	500	1600	735	142	212	220	373	107-1227*	+/- 280	125x50x1200	3
60GGs 45 1300	4500	600	1300	749	152	230	320	440	132-892*	+/- 190	150x50x1200	3
60GGs 45 1400	4500	600	1400	749	152	225	323	452	132-992*	+/- 215	150x50x1200	3
60GGs 45 1800	4500	600	1800	749	152	210	330	500	132-1392*	+/- 315	150x50x1200	3
60GGs 50 1400	5000	600	1400	948	152	194	405	488	132-992*	+/- 215	150x50**x1200	4
60GGs 50 1600	5000	600	1600	948	152	187	412	514	132-1192*	+/- 265	150x50**x1200	4
60GGs 50 1800	5000	600	1800	948	152	181	418	539	132-1392*	+/- 315	150x50**x1200	4
60GGs 50 1900	5000	600	1900	948	152	179	421	551	132-1492*	+/- 340	150x50**x1200	4
150x60**, L>1600												

The attachment is supplied with a valve adapted to the actual capacity

Min. working pressure 110 [bar]. Max. working pressure 250 [bar]

*From 1601 [mm] of fork length, Y₀ is increased by 50 [mm], Y₁ and S are reduced by 50 [mm]

**From 1601 [mm] of fork length, section size is increased

The table values E_h, E_v and Q are calculated

