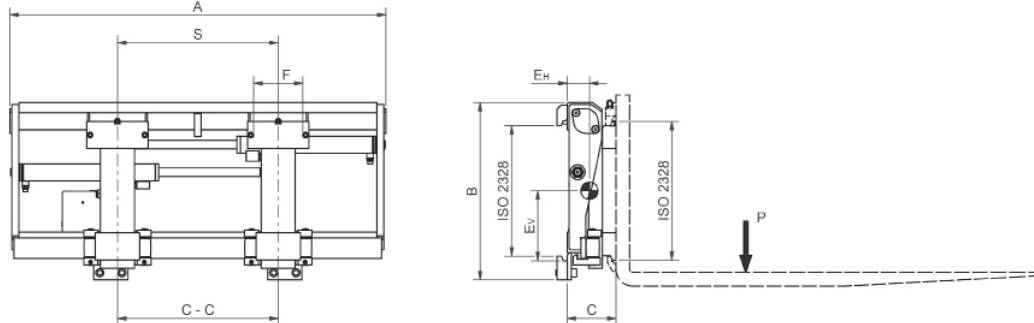


Hook-on fork positioner with side shift, type 5LC

Benefits

- Flexible solution for ISO forks
- Suitable for rental, leasing and used trucks
- Standard mounting in cl. 2, 3 and 4, ISO 2328
- Quick and easy mounting
- Fork positioning and side shifting in one attachment





	Capacity	Load center	Width	Height	Load center	Center of gravity, horizontal	Center of gravity, vertical	Weight	Fork arm carrier width	Opening range	Side shift	ISO 2328
	P [kg]	a [mm]	A [mm]	B [mm]	C [mm]	E _H [mm]	E _V [mm]	Q [kg]	F [mm]	C ₀ - C ₁ [mm]	S [mm]	
5LC 18 1000	1800	500	1000	512	143	53	225	130	140	186 - 786	+/- 150	2
5LC 18 1050	1800	500	1050	512	143	53	226	133	140	186 - 836	+/- 163	2
5LC 18 1100	1800	500	1100	512	143	52	226	136	140	186 - 886	+/- 175	2
5LC 25 1100	2500	500	1100	520	143	53	241	146	140	211 - 861	+/- 150	2
5LC 25 1150	2500	500	1150	520	143	53	241	149	140	211 - 911	+/- 163	2
5LC 25 1200	2500	500	1200	520	143	52	242	153	140	211 - 961	+/- 175	2
5LC 35 1200	3500	500	1200	618	153	57	288	176	140	209 - 959	+/- 188	3
5LC 35 1250	3500	500	1250	618	153	56	289	180	140	209 - 1009	+/- 200	3
5LC 35 1300	3500	500	1300	618	153	56	290	183	140	209 - 1059	+/- 212	3
5LC 45 1300	4500	500	1300	620	172	63	281	247	150	258 - 1058	+/- 188	3
5LC 45 1400	4500	500	1400	620	172	63	282	257	150	258 - 1158	+/- 200	3
5LC 45 1450	4500	500	1450	620	172	63	283	262	150	258 - 1208	+/- 212	3

On stock - shipping within 24 hours (business days)

Min. working pressure 110 [bar] - for full load side shift
Max. working pressure 250 [bar]
The table values E_H, E_V and Q are calculated

