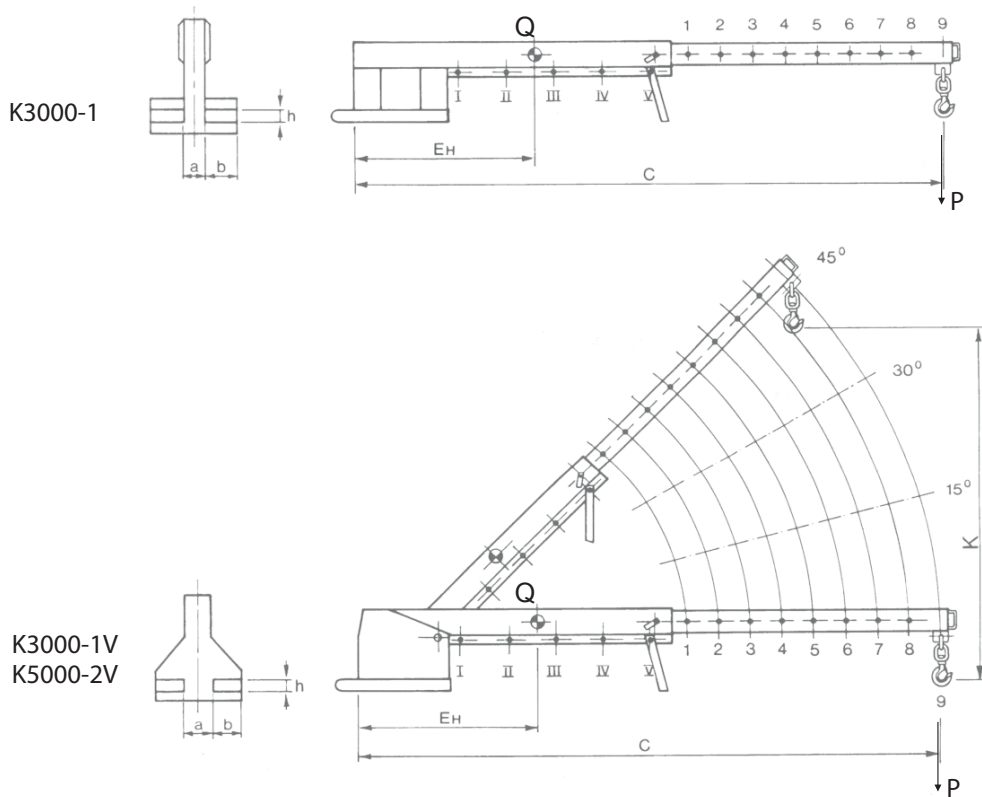


Telescopic crane jib, type K3000-1, K3000-1V and K5000-2V

Advantages

- The lifting bar is mechanically telescopable
- With 14 different positions for the lifting hook
- The models K3000-1V and K5000-2V can be tilted at 0°, 15°, 30° and 45°
- Easy and quick mounting on the forklift truck



	I	II	III	IV	V	1	2	3	4	5	6	7	8	9
P - K3000-1 [kg]	3000	3000	2500	1800	1400	1200	1050	950	850	770	700	650	600	560
C [mm]	710	1000	1290	1590	1870	2055	2255	2455	2655	2855	3055	3255	3455	3655
E _H [mm]	800	800	800	800	800	800	850	900	950	1000	1050	1100	1150	1200
P - K3000-1V [kg]	3000	3000	2500	1800	1400	1200	1050	950	850	770	700	650	600	560
P - K5000-2V [kg]	5000	3350	2750	2250	1950	1700	1550	1400	1300	1200	1150	1050	1000	950
C [mm]	695	990	1285	1580	1825	2090	2290	2490	2690	2890	3090	3290	3490	3690
E _H [mm]	700	700	700	700	700	700	750	790	840	880	930	970	1020	1070

	a	b	h	Q	K /15°	K /30°	K /45°
	[mm]	[mm]	[mm]	[kg]	[mm]	[mm]	[mm]
K3000-1	106	184	84	190			
K3000-1V	156	184	84	200	1090	1844	2492
K5000-2V	166	184	84	247	1090	1844	2492

