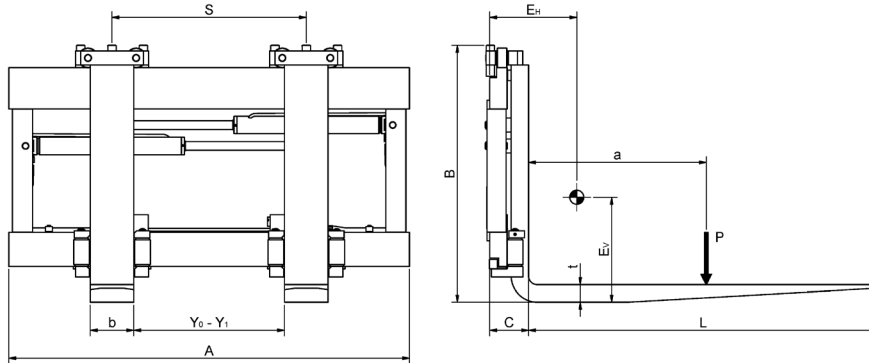


### Integrated fork positioner with side shift, type IGGS

#### Benefits

- Powerful integrated fork positioner with high strength
- High residual capacity
- Large opening area
- Rigid fork hanging
- Available as a Heavy Duty version for extremely demanding tasks
- Fork positioner in many variants





	Capacity	Load center	Width	Height	Lost load center	Center of gravity, horizontal	Center of gravity, vertical	Weight	Opening range	Side shift	Fork size/length
	P [kg]	a [mm]	A [mm]	B [mm]	C [mm]	E <sub>h</sub> [mm]	E <sub>v</sub> [mm]	Q [kg]	Y <sub>0</sub> - Y <sub>1</sub> [mm]	S [mm]	b x t x L [mm]
5IGGS 18 1000	1800	500	1000	598	97	213	233	188	130-650*	+/- 130	100x35x1200
5IGGS 18 1100	1800	500	1100	598	97	209	238	197	130-750*	+/- 155	100x35x1200
5IGGS 25 1000	2500	500	1000	598	102	241	218	221	120-640*	+/- 130	120x40x1200
5IGGS 25 1100	2500	500	1100	598	102	234	223	228	120-740*	+/- 155	120x40x1200
5IGGS 25 1200	2500	500	1200	598	102	228	227	235	120-840*	+/- 180	120x40x1200
5IGGS 25 1300	2500	500	1300	598	102	222	230	242	120-940*	+/- 205	120x40x1200
5IGGS 35 1200	3500	500	1200	735	112	210	279	303	107-827*	+/- 180	125x50x1200
5IGGS 35 1300	3500	500	1300	735	112	205	283	312	107-927*	+/- 205	125x50x1200
5IGGS 35 1400	3500	500	1400	735	112	200	286	317	107-1027*	+/- 230	125x50x1200
5IGGS 35 1600	3500	500	1600	735	112	191	292	337	107-1227*	+/- 280	125x50x1200
6IGGS 45 1300	4500	600	1300	749	122	197	293	407	132-892*	+/- 190	150x50x1200
6IGGS 45 1400	4500	600	1400	749	122	191	296	419	132-992*	+/- 215	150x50x1200
6IGGS 45 1800	4500	600	1800	749	122	174	307	468	132-1392*	+/- 315	150x50x1200
6IGGS 50 1400	5000	600	1400	948	122	187	399	443	132-992*	+/- 215	150x50**x1200
6IGGS 50 1600	5000	600	1600	948	122	178	407	467	132-1192*	+/- 265	150x50**x1200
6IGGS 50 1800	5000	600	1800	948	122	171	413	492	132-1392*	+/- 315	150x50**x1200
6IGGS 50 1900	5000	600	1900	948	122	167	416	504	132-1492*	+/- 340	150x50**x1200

The unit is supplied with a valve adapted to the actual capacity

Min. working pressure 110 [bar]. Max. working pressure 250 [bar]

\*From 1601 [mm] of fork length, Y<sub>0</sub> is increased by 50 [mm], Y<sub>1</sub> and S are reduced by 50 [mm]

\*\*From 1601 [mm] of fork length, section size is increased

The table values E<sub>h</sub>, E<sub>v</sub> and Q are calculated

