

The new 2019 IFPF-W has a wider opening range than ever before combined with a narrow frame, along with improved view and better residual capacity.

The hydraulic system includes a valve with integrated side shift and individual flow adjusters for each cylinder which offers excellent synchronization for the fork positioning.

The IFPF-W is available in two varieties, the standard-version for pallet handling and the plus-version for even wider opening.

Integrated Fork Positioner with wide opening type IFPF-W

For goods that require a wide opening

Advantages

- High residual capacity
- Low weight
- Good view
- Wide opening beyond its own width
- Precise control of fork movement
- Full integration for all fork lift brands

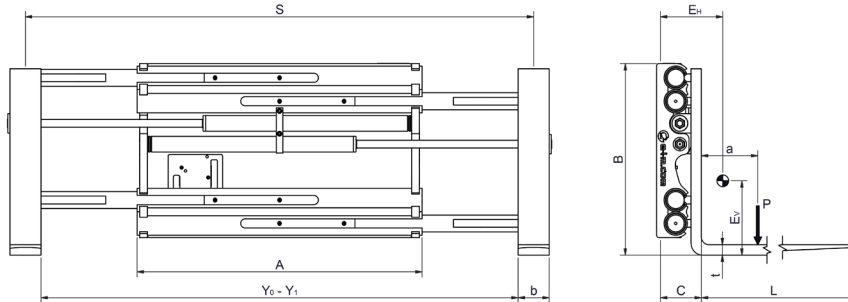




Integrated Fork Positioner with wide opening type IFPF-W

Cap. 2.500 - 5.000 [kg]

0002535b EN



	Capacity	Load Center	Width	Height	Load center	Center of gravity, Horizontal	Center of gravity, Vertical	Weight	Opening range	Side shift	Fork size/Length
	P [kg]	a [mm]	A [mm]	B [mm]	C [mm]	E _H [mm]	E _V [mm]	Q [kg]	Y ₀ - Y ₁ [mm]	S [mm]	b x t x L [mm]
2IFPF-W 1050	2500	500	1050	737	171	192	322	384	270-1470	+/- 300	120x45x1200
2IFPF-W 1100	2500	500	1100	737	171	190	323	389	270-1520	+/- 313	120x45x1200
2IFPF-W 1150	2500	500	1150	737	171	188	324	395	270-1570	+/- 325	120x45x1200
2IFPF-W 1200	2500	500	1200	737	171	186	325	401	270-1620	+/- 338	120x45x1200
2IFPF-W 1250	2500	500	1250	737	171	184	327	407	270-1670	+/- 350	120x45x1200
2IFPF-W 1400	2500	500	1400	737	171	179	329	424	270-1820	+/- 388	120x45x1200
2IFPF-W+ 25 1050	2500	500	1050	737	171	192	323	382	420-1770	+/- 338	120x45x1200
2IFPF-W+ 25 1100	2500	500	1100	737	171	190	324	387	420-1820	+/- 350	120x45x1200
2IFPF-W+ 25 1150	2500	500	1150	737	171	188	325	393	420-1870	+/- 363	120x45x1200
2IFPF-W+ 25 1200	2500	500	1200	737	171	186	326	399	420-1920	+/- 375	120x45x1200
2IFPF-W+ 25 1250	2500	500	1250	737	171	184	328	405	420-1970	+/- 388	120x45x1200
2IFPF-W+ 25 1400	2500	500	1400	737	171	179	330	422	420-2120	+/- 425	120x45x1200
2IFPF-W35 1150	3500	500	1150	833	191	177	375	538	260-1560	+/- 325	125x50x1200
2IFPF-W35 1200	3500	500	1200	833	191	175	376	546	260-1610	+/- 338	125x50x1200
2IFPF-W35 1250	3500	500	1250	833	191	174	377	555	260-1660	+/- 350	125x50x1200
2IFPF-W35 1300	3500	500	1200	833	191	172	378	563	260-1710	+/- 363	125x50x1200
2IFPF-W35 1400	3500	500	1400	833	191	169	380	580	260-1810	+/- 388	125x50x1200
2IFPF-W35 1650	3500	500	1650	833	191	162	385	621	260-2060	+/- 450	125x50x1200
2IFPF-W+ 35 1150	3500	500	1150	833	191	176	374	540	410-1860	+/- 363	125x50x1200
2IFPF-W+ 35 1200	3500	500	1200	833	191	174	375	548	410-1910	+/- 375	125x50x1200
2IFPF-W+ 35 1250	3500	500	1250	833	191	173	376	557	410-1960	+/- 388	125x50x1200
2IFPF-W+ 35 1300	3500	500	1300	833	191	171	377	565	410-2010	+/- 400	125x50x1200
2IFPF-W+ 35 1400	3500	500	1400	833	191	168	379	582	410-2110	+/- 425	125x50x1200
2IFPF-W+ 35 1650	3500	500	1650	833	191	161	384	623	410-2360	+/- 488	125x50x1200
2IFPF-W50 1350	3500	500	1350	839	230	227	364	673	220-1720	+/- 375	150x60x1200
2IFPF-W50 1400	5000	600	1400	839	230	225	365	682	220-1770	+/- 388	150x60x1200
2IFPF-W50 1500	5000	600	1500	839	230	222	367	700	220-1870	+/- 413	150x60x1200
2IFPF-W50 1600	5000	600	1600	839	230	219	369	718	220-1970	+/- 438	150x60x1200
2IFPF-W50 1650	5000	600	1650	839	230	217	370	727	220-2020	+/- 450	150x60x1200
2IFPF-W50 1350	5000	600	1350	839	230	226	364	676	370-2020	+/- 413	150x60x1200
2IFPF-W+ 50 1400	5000	600	1400	839	230	224	365	685	370-2070	+/- 425	150x60x1200
2IFPF-W+ 50 1500	5000	600	1500	839	230	221	367	704	370-2170	+/- 450	150x60x1200
2IFPF-W+ 50 1600	5000	600	1600	839	230	218	369	722	370-2270	+/- 475	150x60x1200
2IFPF-W+ 50 1650	5000	600	1650	839	230	216	370	731	370-2320	+/- 488	150x60x1200

For other widths and fork lengths please contact our customer service department.
The above data is preliminary data and can be subject to change.

