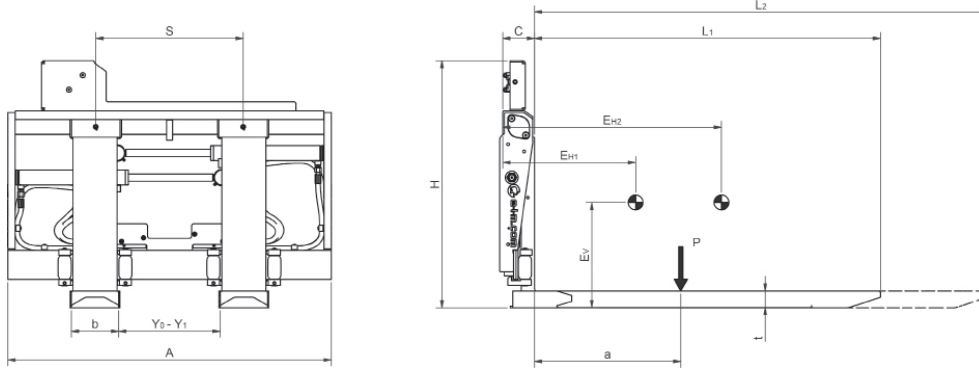


**Integrated fork positioner with telescopic forks
Type 6IFPF + KOOI**

Benefits

- Combi attachment, making the truck multi-flexible
- Increased safety and efficiency due to optimized view
- The optimized view reduces the risk of damage
- Low lost load centre due to integration of fork positioners and telescopic forks
- Pallet handling for double shelving units
- (Un)loading from trucks, train carriages etc. from one side
- Uniquely high residual capacity





	Capacity	Load center	Reach	Center of gravity, horizontal	Center of gravity, vertical	Fork size	Width	Height	Load center	Opening range	Side shift	Weight
	P [kg]	a [mm]	L ₁ -L ₂ [mm]	E _{H1} - E _{H2} [mm]	E _V [mm]	B x T [mm]	A [mm]	H [kg]	C [mm]	Y ₀ - Y ₁ [mm]	S [mm]	Q [kg]
6IFPF 2010 + KOOI RG2 20 1200/2050	2000	500	1200-2050	312-427	216	139x57	1000	812	108	105-655	138	257
6IFPF 2010 + KOOI RG2 20 1350/2350	2000	500	1350-2350	365-509	206	139x57	1000	812	108	105-655	138	271
6IFPF 2511 + KOOI RG2 30 1200/2050	2500	500	1200-2050	297-406	230	139x57	1100	812	108	105-755	163	272
6IFPF 2511 + KOOI RG2 30 1350/2350	2500	500	1350-2350	348-484	220	139x57	1100	812	108	105-755	163	287
6IFPF 2511 + KOOI RG4 35 1200/2050	2500	500	1200-2050	315-456	220	169x57	1100	812	108	105-705	150	309
6IFPF 2511 + KOOI RG4 35 1350/2350	2500	500	1350-2350	368-543	210	169x57	1100	812	108	105-705	150	327
6IFPF 3512 + KOOI RG4 35 1200/2050	3500	500	1200-2050	301-435	228	169x57	1200	839	108	105-805	175	329
6IFPF 3512 + KOOI RG4 35 1350/2350	3500	500	1350-2350	352-519	218	169x57	1200	839	108	105-805	175	347
6IFPF 4513 + KOOI RG4 58 1200/2050	4500	600	1200-2050	263-364	311	169x62	1300	968	122	105-905	200	444
6IFPF 4513 + KOOI RG4 58 1350/2050	4500	600	1350-2350	307-435	299	169x62	1300	968	122	105-905	200	464
6IFPF 5014 + KOOI RG4 58 1200/2050	5000	600	1200-2050	257-356	315	169x62	1400	968	122	105-1005	225	456
6IFPF 5014 + KOOI RG4 58 1350/2350	5000	600	1350-2350	300-425	303	169x62	1400	968	122	105-1005	225	476

Please contact our Customer Service Department if you need a different attachment than the ones listed in the table
Min. working pressure 110 [bar]. Max. working pressure 175 [bar]
The table values E_H, E_V and Q are calculated
Excl. solenoid valve for 3rd hydraulic function

