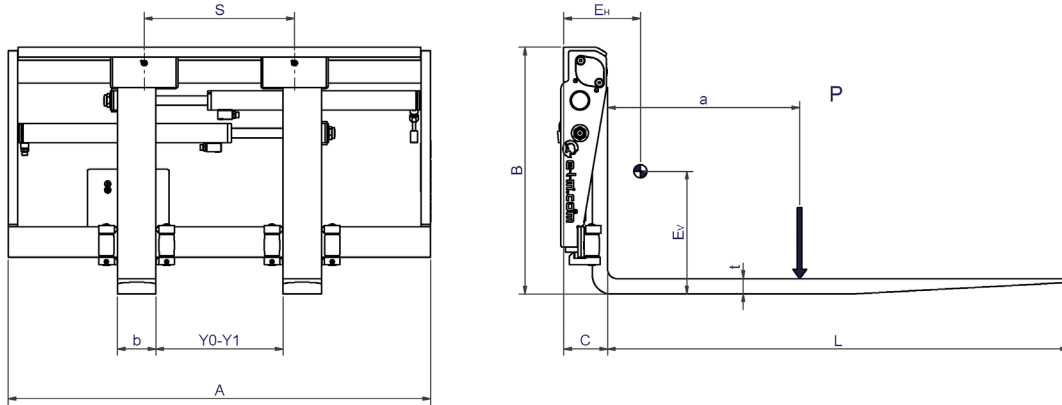


Integrated fork positioner with optimized side shift, type 2IFOSSS

Benefits

- Optimized side shift
- High residual capacity
- Position the load beyond its own width
- Exceptional view
- Stable and silent operation
- Integration for all truck types





	Capacity	Load center	Width	Height	Lost load center	Center of gravity, horizontal	Center of gravity, vertical	Weight	Opening range	Side shift	Fork size/length	Side shift by Y_0
	P [kg]	a [mm]	A [mm]	B [mm]	C [mm]	E_H [mm]	E_V [mm]	Q [kg]	$Y_0 - Y_1$ [mm]	S [mm]	b x t x L [mm]	$Y_0 - Y_1$ [mm]
2IFOSSS 20 1000	2000	500	1000	642	113	222	277	213	115-705	+/- 211	100 x 40 x 1200	+/- 127
2IFOSSS 20 1050	2000	500	1050	642	113	218	280	216	115-755	+/- 224	100 x 40 x 1200	+/- 127
2IFOSSS 20 1100	2000	500	1100	642	113	215	283	220	115-805	+/- 236	100 x 40 x 1200	+/- 127
2IFOSSS 20 1150	2000	500	1150	642	113	212	286	224	115-855	+/- 249	100 x 40 x 1200	+/- 127
2IFOSSS 25 1000	2500	500	1000	642	123	227	283	256	115-665	+/- 211	120 x 40 x 1200	+/- 147
2IFOSSS 25 1050	2500	500	1050	642	123	223	285	261	115-715	+/- 224	120 x 40 x 1200	+/- 147
2IFOSSS 25 1100	2500	500	1100	642	123	220	288	266	115-765	+/- 236	120 x 40 x 1200	+/- 147
2IFOSSS 25 1150	2500	500	1150	642	123	217	291	271	115-815	+/- 249	120 x 40 x 1200	+/- 147
2IFOSSS 25 1200	2500	500	1200	642	123	213	294	277	115-865	+/- 261	120 x 40 x 1200	+/- 147
2IFOSSS 25 1250	2500	500	1250	642	123	210	297	282	115-915	+/- 274	120 x 40 x 1200	+/- 147

Min. working pressure 110 bar

Max. working pressure 250 bar

The table values E_H , E_V and Q are calculated

